

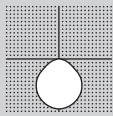
LENO 4.0

30" GRID



PERFORMANCE

- 120V / 277V Universal
- Up to 138lm/W
- CRI > 80 & CRI > 90
- Zero plenum lights
- Damp & Dry Rated



9/16" GRID

ARMSTRONG®
SILHOUETTE®



ARMSTRONG®
SUPRAFINE®

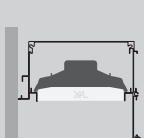


ARMSTRONG®
INTERLUDE®

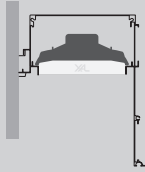


THIRD PARTY KITS

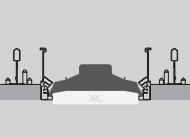
ARMSTRONG®
AXIOM® 4" COVE



ARMSTRONG®
AXIOM® 6" COVE



ARMSTRONG®
DRYWALL KIT

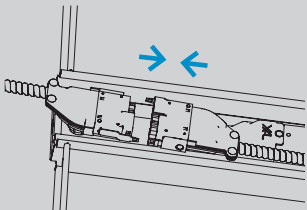


*Contact your ARMSTRONG® Ceilings rep for availability

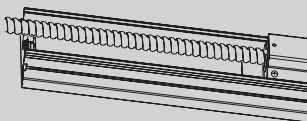
QUICK AND EASY MOUNTING

patented snap-in mounting

PLUG-AND-PLAY THROUGH-WIRE



WHIP - INDIVIDUAL SECTION



[link to page](#)

Catalog Number Example

LENO-WP-OP-30K-C80-UNV-010V-0475LF-EM2-ST-17.5FT

A RANGE

LENO 4.0 LENO

B CEILING SYSTEM

Armstrong 9/16" Grid *
*compatible with Armstrong 9/16" grid only

C WHIP / THROUGH-WIRE

Whip 6' WP
Plug and play through-wire P P
not available for 2ft single and CCEA fixtures

D LENS

HP opal cover OP

E CCT

3000K 3 0 K
3500K 3 5 K
4000K 4 0 K

F CRI

CRI > 80 C 8 0
CRI > 90 C 9 0

G VOLTAGE

120V / 277V UN V

H DIMMING

0-10V 1% 0 1 0 V
Lutron EcoSystem L D E 1
Quantum, Vive, GRAFIK Eye,
HomeWorks
Power over ethernet P O E C
consult customer service for compatibility

I OUTPUT LM/FT DIRECT

475lm/ft 0 4 7 5 L F
695lm/ft 0 6 9 5 L F
905lm/ft 0 9 0 5 L F

J CIRCUIT / EM

Single circuit *
EMP # of EM packs E M #
EM battery pack only for 120 / 277 V, in
4 ft increments
*leave blank

K SHAPE / PATTERN

Linear / straight S T

L DIMENSIONS IN FT

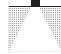
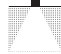

2 1/2' single fixture 2 . 5 F T
5' single fixture 5 F T
7 1/2' single fixture 7 . 5 F T
10' continuous run 1 0 F T
12 1/2' continuous run 1 2 . 5 F T
15' continuous run 1 5 F T
17 1/2' continuous run 1 7 . 5 F T
20' continuous run 2 0 F T
22 1/2' continuous run 2 2 . 5 F T
25' continuous run 2 5 F T
27 1/2' continuous run 2 7 . 5 F T
30' continuous run 3 0 F T

M CERTIFICATION (optional)

Chicago Plenum C C E A

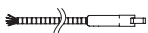
BASO
basolighting.com
xalusa.com

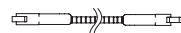
Technical data

	SIZE TYPE	LED COLOR TEMPERATURE	INPUT WATTS	DELIVERED LM TOTAL	LIGHT DISTRIBUTION	DELIVERED LUMEN DIRECT	OPTICAL EFFICIENCY	LUMINAIRE EFFICACY
LENO 4.0 30" GRID whip								
e LED	2 ½' opal	40K	10W	1260 lm	100% down	1260 lm	80%	122 lm/W
	5' opal		18W	2520 lm		2520 lm		138 lm/W
	7 ½' opal		27W	3790 lm		3780 lm		138 lm/W
e ² LED	2 ½' opal	40K	14W	1850 lm	100% down	1850 lm	80%	134 lm/W
	5' opal		28W	3700 lm		3690 lm		134 lm/W
	7 ½' opal		41W	5550 lm		5540 lm		134 lm/W
e ²⁺ LED	2 ½' opal	40K	18W	2410 lm	100% down	2400 lm	80%	130 lm/W
	5' opal		37W	4810 lm		4810 lm		130 lm/W
	7 ½' opal		55W	7220 lm		7210 lm		130 lm/W

for 30K or 35K multiply lm value by 0.96

Accessories

POWER FEEDER  **CODE**
 4 ft 120 / 277 V LENO P07040

CONNECTOR CABLE  **CODE**
 4 ft 120 / 277 V LENO C07040
 8 ft 120 / 277 V LENO C07080

WHITE BLANK AXIOM COVER **CODE**
 4' long blank cover (for Armstrong AXIOM cove system) LENO 0B7040
 contact Armstrong for AXIOM channels, endcaps and clips

WHITE BLANK DRYWALL COVER **CODE**
 4' long blank cover (for Armstrong DRYWALL KIT) LENO 0B7040
 contact Armstrong for channels, endcaps and clips

LENO RELEASE TOOL **CODE**
 LENO releasing tool for Armstrong grid ceilings LENO R00700

HURRICANE BRACKET **CODE**
 For ceiling requiring two separate mounting points LENO H00000

ARMSTRONG CONNECTOR BRACKET **CODE**
 Armstrong lighting connector bracket (LCB4) visit armstrong.com
 please contact your Armstrong rep

Dimensions

LENO 4.0 24" GRID / 4.0 30" GRID



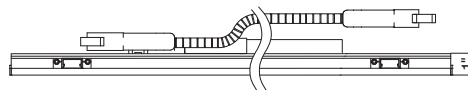
Armstrong® Silhouette®
 XL ¼" bolt slot grid

Armstrong® Suprafine®
 XL ¼" flat T-grid

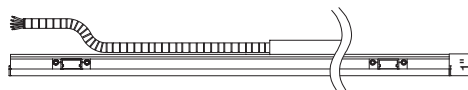


Armstrong®
 Interlude® XL HRC

THROUGH WIRE SYSTEM FIXTURE



WHIP FIXTURE



Grid ceiling

XAL LENO is only approved for Armstrong® ¼" Suprafine®, Silhouette®, Interlude®, AXIOM® cove, drywall and TechZone® ceiling systems.

Armstrong® lighting connector brackets make installation quick and easy with no independent suspension required. The brackets must be installed at every LENO location along the ACT ceiling (see drawings in the technical data section).

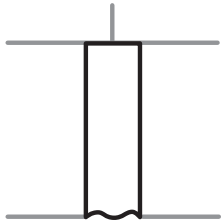
Approved for seismic D, E, F installations.

Plug and Play Through-Wire System

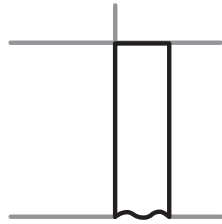
The electrical wiring system saves 30–50% of total wiring installation costs and significantly reduces installation time compared to hard-wired methods.

DIMENSIONS

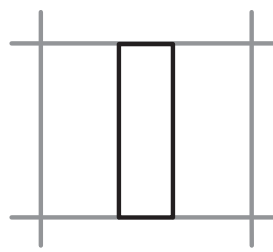
Four installation types



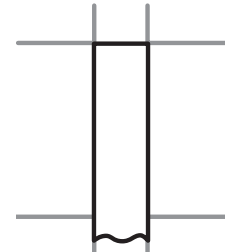
on-center



offset



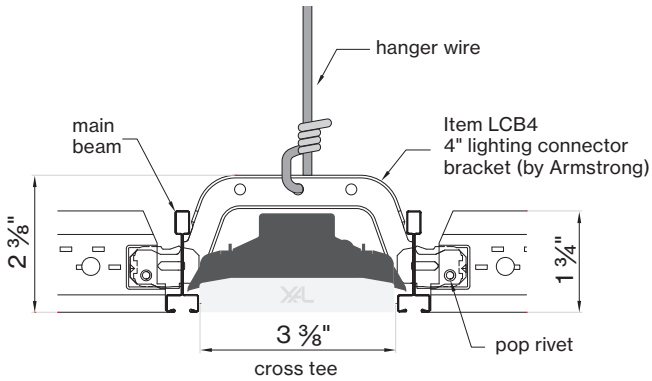
middle



4" TechZone

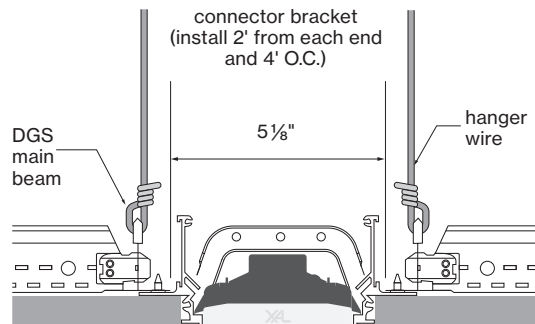
ARMSTRONG® Ceilings Integration

ACT ceiling



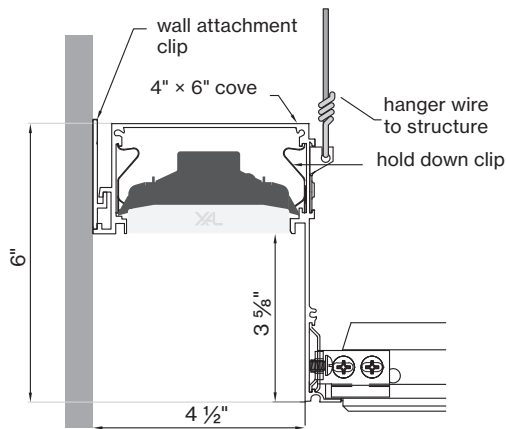
Third Party Drywall Kit

Drywall kit

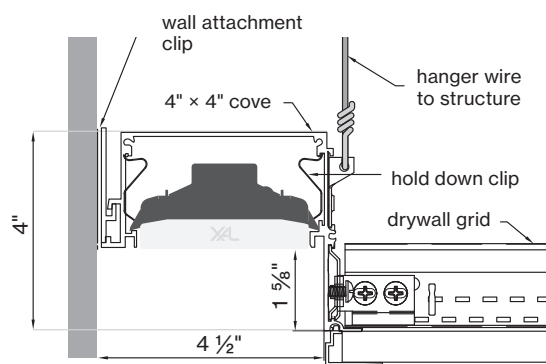


**contact your ARMSTRONG® Ceilings rep for availability*

4" x 4" AXIOM® cove kit

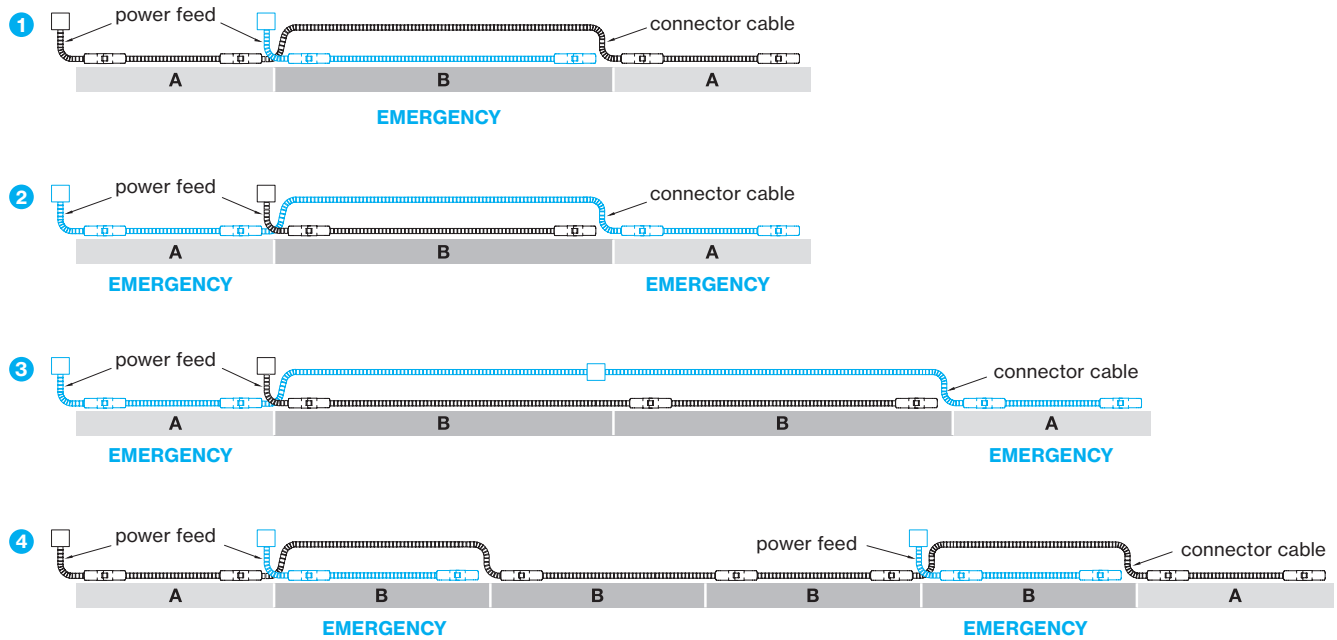


4" x 6" AXIOM® cove kit

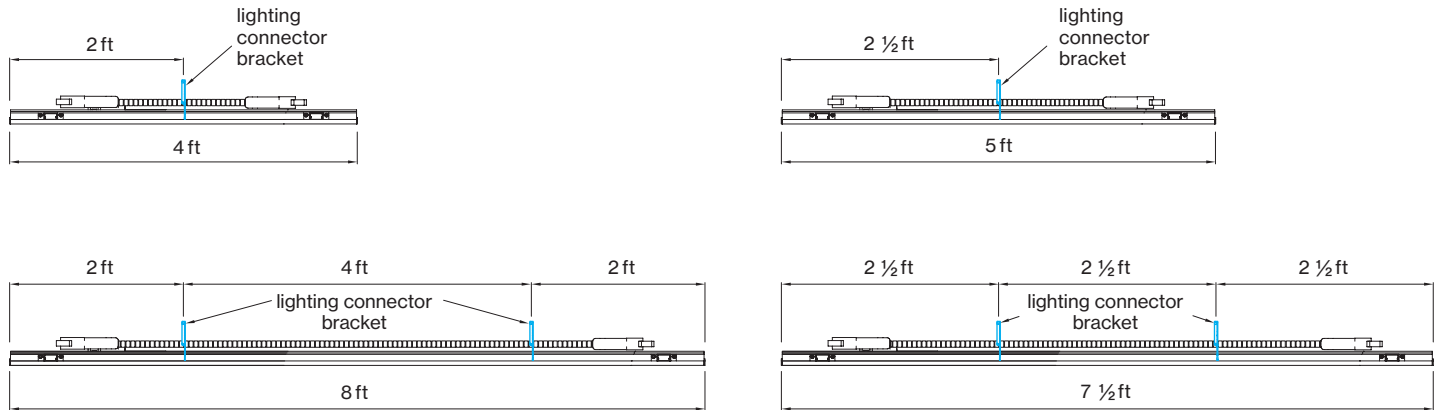


**contact your ARMSTRONG® Ceilings rep for availability*

LENO wiring for EM circuit or NL/EM circuit



Lighting connector bracket position



LENO mounting instructions

Get access to LENO mounting instructions faster by scanning the QR code.



www.xalusa.com/resources/mounting-instructions/leno